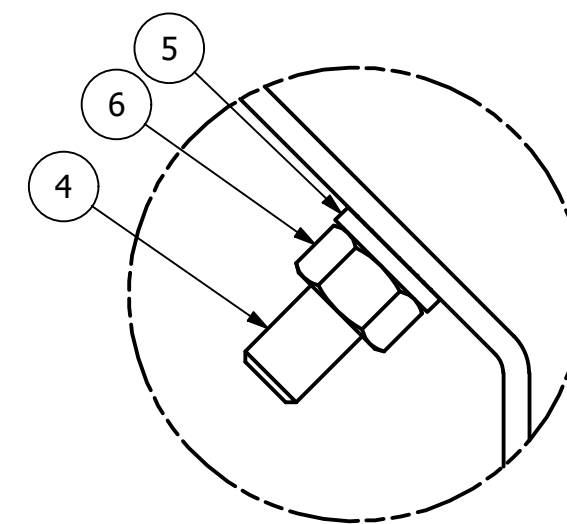
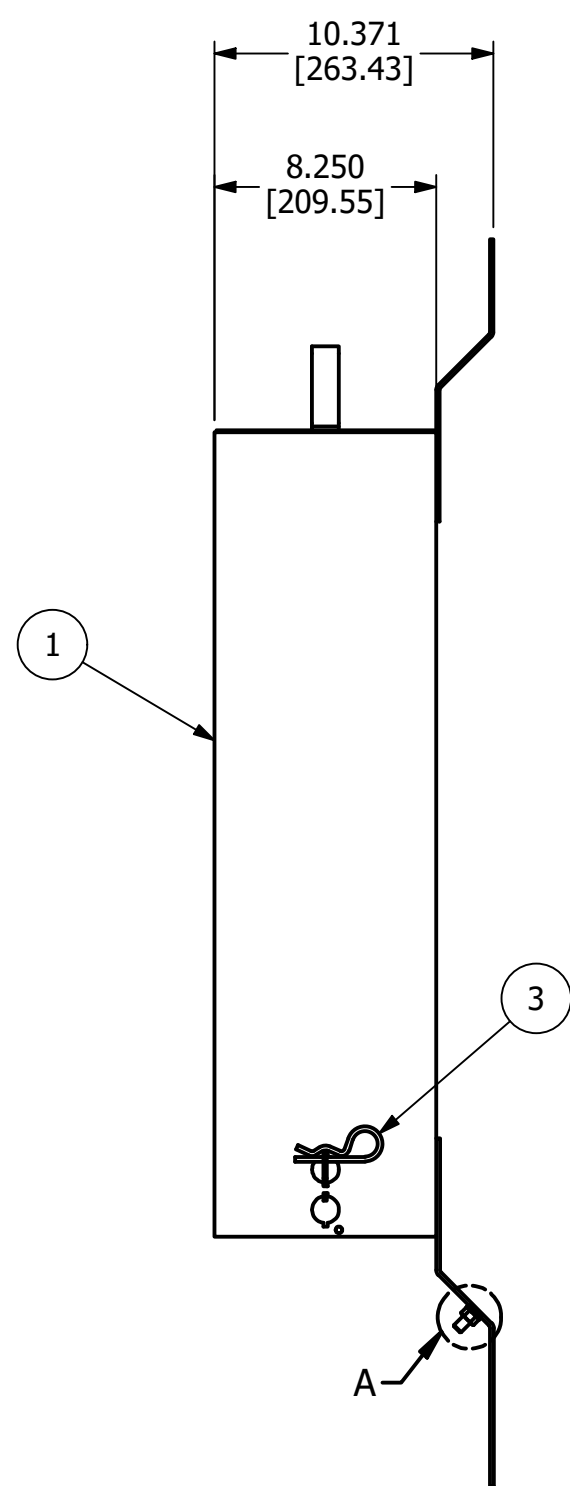
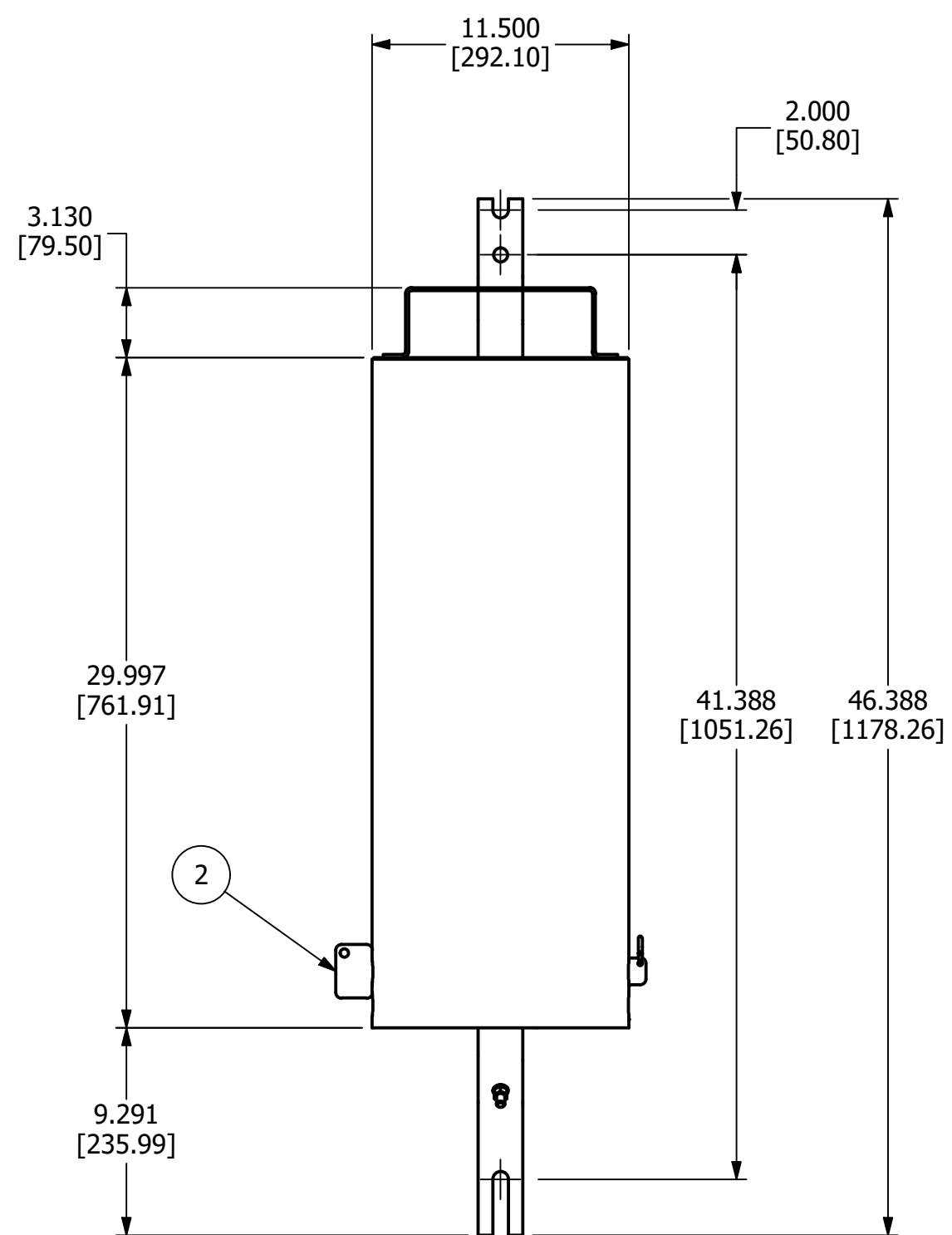


CATALOG NUMBER	FIBER SPLICE ENCLOSURE APPLICATION	APPROX. WT. EACH LB. [KG]	STANDARD PACK
PSC570BRC	570 ENCLOSURES	33.750 [15.30]	1

ITEM	DESCRIPTION	MATERIAL
1	BULLET RESISTANT CANISTER	STAINLESS STEEL
2	BRC PIN	ALLUMINUM ALLOY
3	COTTER HAIR-PIN	STEEL
4	GROUND STUD	STAINLESS STEEL
5	LOCK WASHER	STAINLESS STEEL
6	HEX NUT	STAINLESS STEEL



DETAIL A
SCALE 1 : 1



NOTES:
1. ALL DIMENSIONS FOR REFERENCE ONLY. DISTANCE IN. [MM], FORCE: LBS-Force [kN], TORQUE IN. LBS. [N.m] & WEIGHT LBS. [KG]

221027025150	10/27/22	SAV	RT	SP
EC #	DATE	CHANGED BY	CHECKED BY	APPROVED BY
DESCRIPTION: INITIAL RELEASE				WEIGHT, LBS SEE TABLE
ADDITIONAL COMMENTS: --				

THIRD ANGLE PROJECTION

CONFIDENTIAL:
THIS DRAWING AND ITS CONTENTS ARE CONFIDENTIAL AND THE EXCLUSIVE PROPERTY OF HUBBELL POWER SYSTEMS. NO PUBLICATION, DISTRIBUTION OR COPIES MAY BE MADE WITHOUT THE WRITTEN CONSENT OF HUBBELL POWER SYSTEMS. HUBBELL POWER SYSTEMS UNPUBLISHED ALL RIGHTS RESERVED UNDER THE COPYRIGHT LAWS

HUBBELL POWER SYSTEMS, Inc.

TITLE: **570 BULLET RESISTANCE CANISTER CUSTOMER DRAWING**

CATALOG NUMBER: **SEE TABLE**

SIZE C	DWG NO. CC-28023	PART / ASSY NO. SEE TABLE	REV 0
-----------	---------------------	------------------------------	----------

SCALE: NTS DRN BY: SAV DATE: 10/07/22 SHEET 1 OF 1